

KombiSIGN 50 / Accessories

Base for surface mounting BM BK



Part No.: 975.845.01

MECHANICAL DATA	
Height	37 mm
Diameter	70 mm
Materials	PA-GF
Housing colour	Black
Weight with packaging	36 g
Product weight	35 g

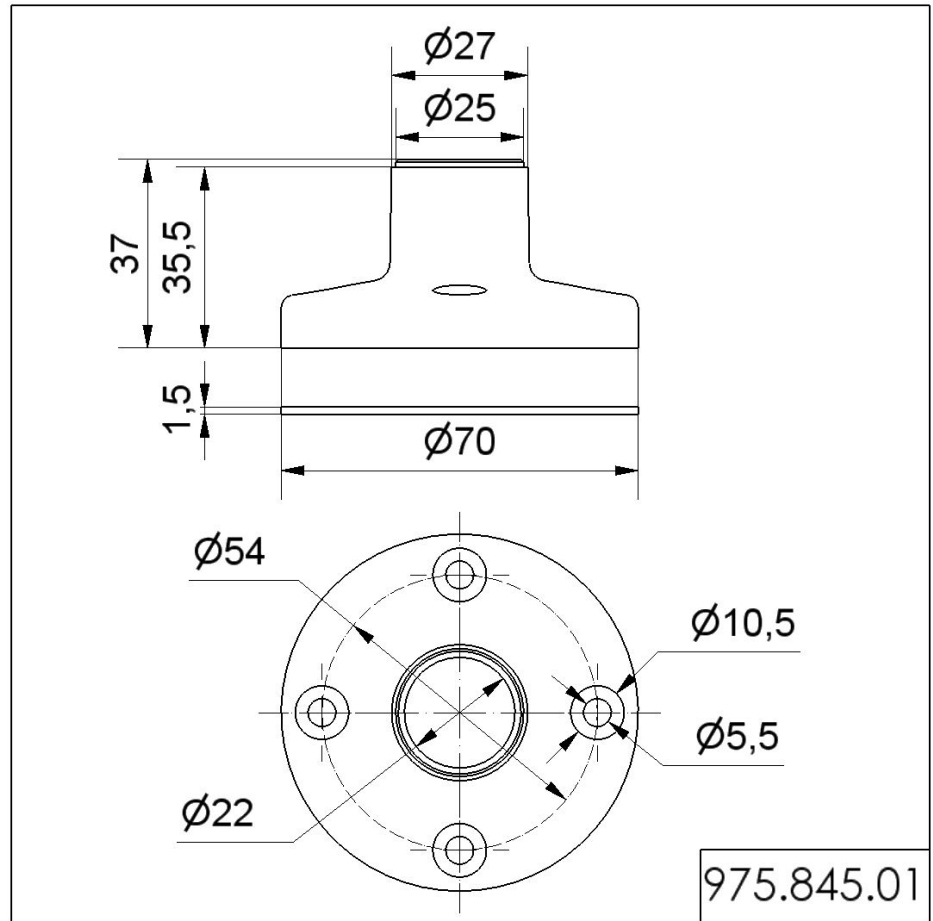
APPROVAL DATA	
WEEE	No
Conforms with RED directive	No
Conform with ATEX-directive	No
Conforms with CCC	No
Conforms with UL	No
Conforms with FCC	No
Conforms with IC	No
EAC certificate available	No
Conforms with AS-I	No
ICAO Certification	No
Conforms with GL	No
Conforms with RoHS CN	No

! For additional installation and mounting information, refer to the appropriate user guide at www.werma.com. This printed copy is for information only and is subject to alteration.

KombiSIGN 50 / Accessories

Base for surface mounting BM BK

DRAWING



! For additional installation and mounting information, refer to the appropriate user guide at www.werma.com. This printed copy is for information only and is subject to alteration.